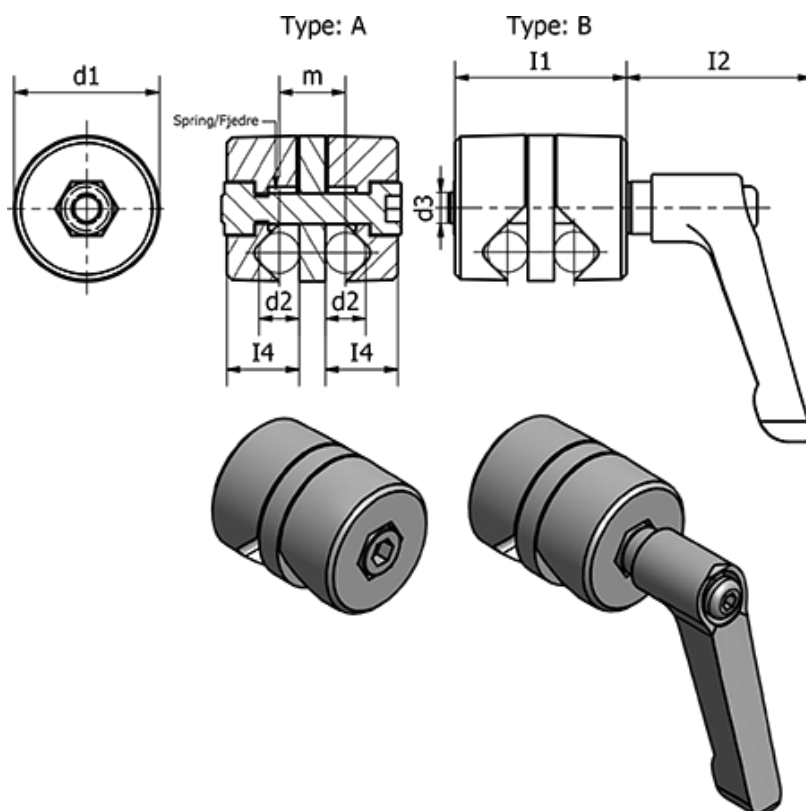


Article number: 204903210ASW

Description: E+G Clamp mounting - GN 490-32-10-A-SW

Measures



$d_1 = 32$ | $m = 15$

$d_2 = 10$ | Weight (g) = 96

$d_3 = M8$

$I_1 = 45$

$I_2 = -$

$I_3 = -$

$I_4 = 20$

$I_5 = 5$